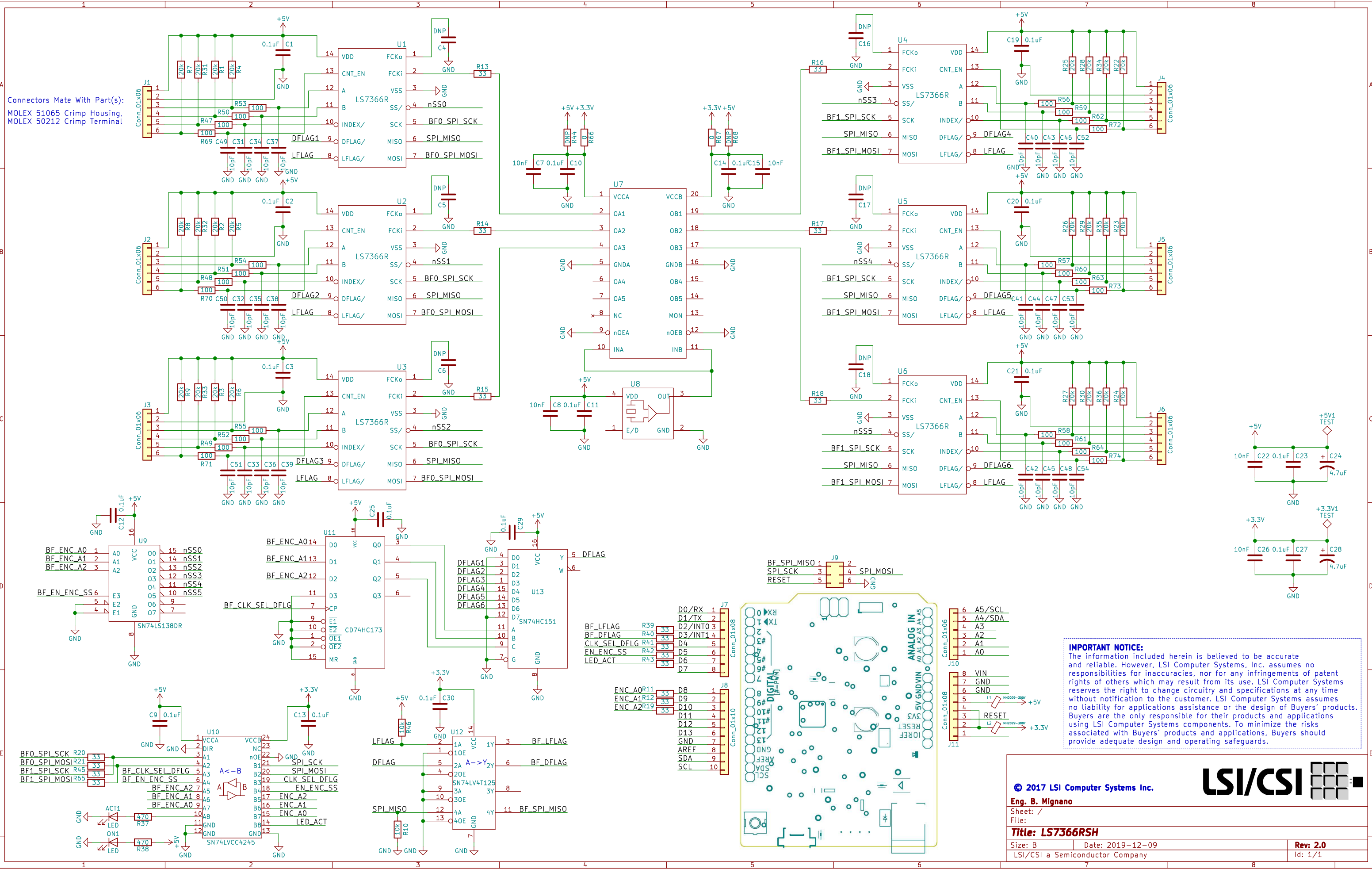


Connectors Mate With Part(s):
 MOLEX 51065 Crimp Housing,
 MOLEX 50212 Crimp Terminal



IMPORTANT NOTICE:
 The information included herein is believed to be accurate and reliable. However, LSI Computer Systems, Inc. assumes no responsibilities for inaccuracies, nor for any infringements of patent rights of others which may result from its use. LSI Computer Systems reserves the right to change circuitry and specifications at any time without notification to the customer. LSI Computer Systems assumes no liability for applications assistance or the design of Buyers' products. Buyers are the only responsible for their products and applications using LSI Computer Systems components. To minimize the risks associated with Buyers' products and applications, Buyers should provide adequate design and operating safeguards.

© 2017 LSI Computer Systems Inc.

Eng. B. Mignano

Sheet: /
 File:

Title: LS7366RSH

Size: B Date: 2019-12-09
 LSI/CSI a Semiconductor Company

Rev: 2.0
 Id: 1/1

