

LSI Computer Systems, Inc. 1235 Walt Whitman Road, Melville, NY 11747 (631) 271-0400 FAX (631) 271-0405

A DUAL DIMMING CONTROL LIGHT SWITCH WITH UNIQUE DELAYED OFF FEATURE

December 1996

Figure 1 shows how to use the total capability of the LS7535 IC (See Data Sheet) to make a full-feature Dimmer Light Switch with ON/UP, OFF/DOWN and DELAYED OFF/AUTO DIM Controls.

The functions allowed by each control are as follows:

ON/UP Control

Provides Soft Turn On to Memory Intensity and varies intensity Up towards Maximum.

OFF/DOWN Control

Provides Soft Turn Off or varies intensity down towards Minimum.

DELAYED OFF/AUTO DIM Control

Provides Automatic Dimming of intensity to Off over a time period determined by an external RC. The Auto Dim feature gives visual confirmation that Delayed Off is operating.

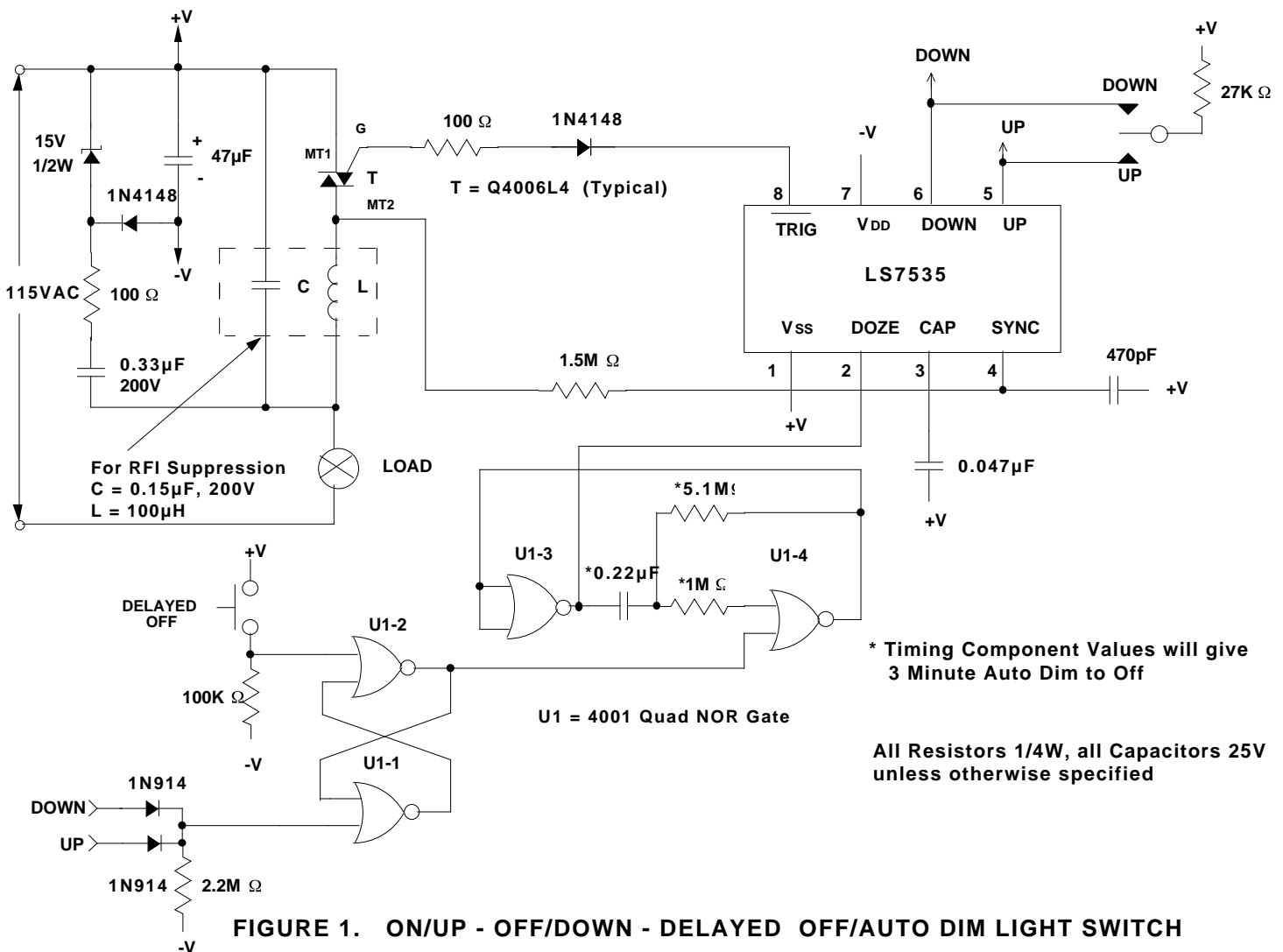


FIGURE 1. ON/UP - OFF/DOWN - DELAYED OFF/AUTO DIM LIGHT SWITCH