

LSI Computer Systems, Inc. 1235 Walt Whitman Road, Melville, NY 11747 (516) 271-0400 FAX (516) 271-0405

USING THE LS7340 AS AN ON - OFF - DELAYED OFF LIGHT SWITCH

December 1996

The LS7340 IC has a typical application as a Timed-On Light Switch (See Data Sheet, Figure 5). Activating the ON input turns the light On and starts the RC Oscillator which controls a timer on the IC. The Light turns Off when timeout is achieved or when the OFF input is activated.

is depressed the light turns On and the RC Oscillator is kept inactive by returning R to +V. The light remains On until either the DELAYED OFF switch or the OFF switch is depressed. Activating the DELAYED OFF switch causes the R to be switched to -V. This activates the Oscillator, allowing the IC timer to control how long the light remains On. Depressing the OFF switch at anytime causes the light to immediately turn off.

Figure 1 shows how to control the OSC port to make a 3-function Light Switch with the LS7340. When the ON switch

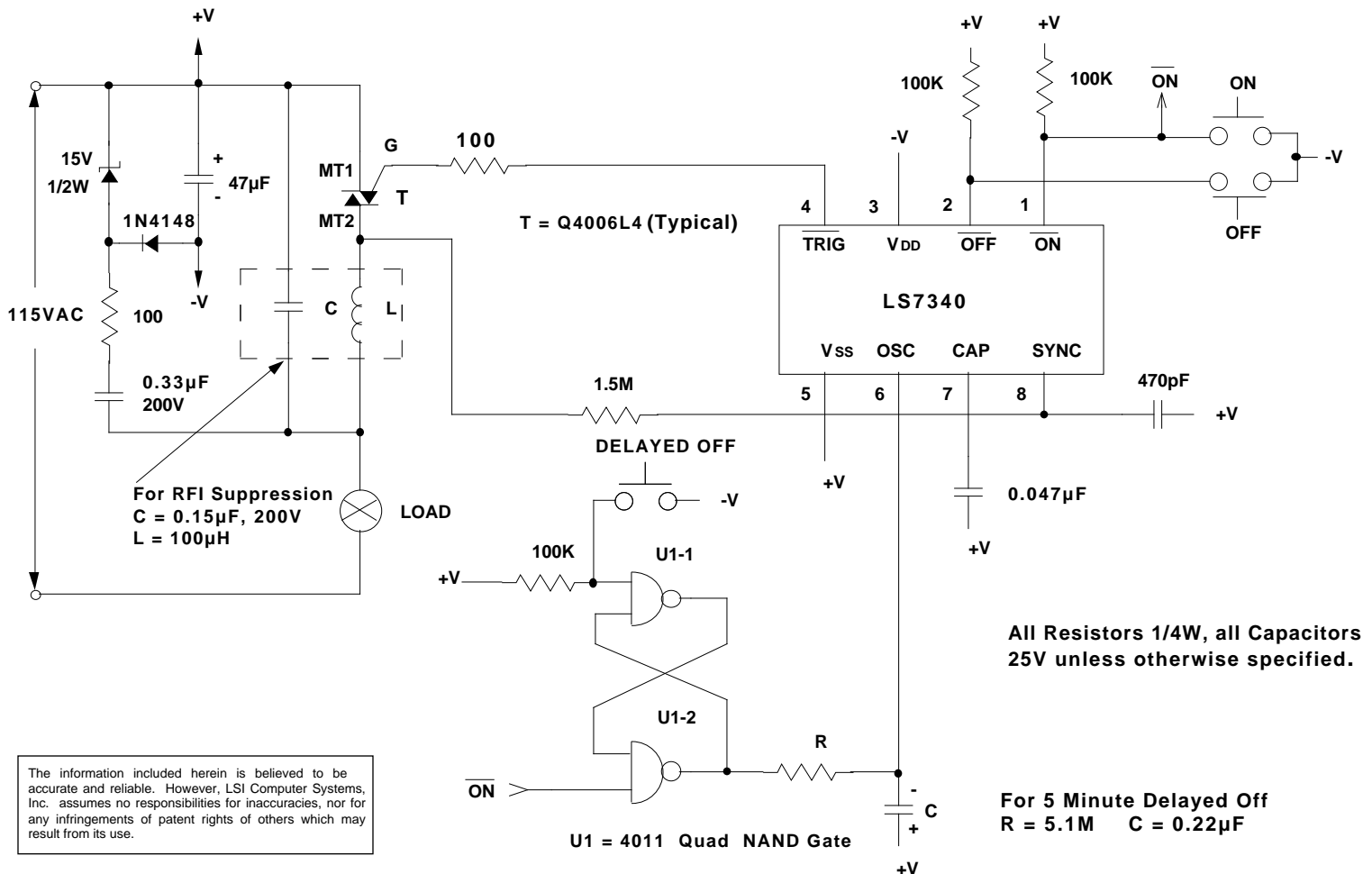


FIGURE 1. ON - OFF - DELAYED OFF LIGHT SWITCH

The information included herein is believed to be accurate and reliable. However, LSI Computer Systems, Inc. assumes no responsibilities for inaccuracies, nor for any infringements of patent rights of others which may result from its use.